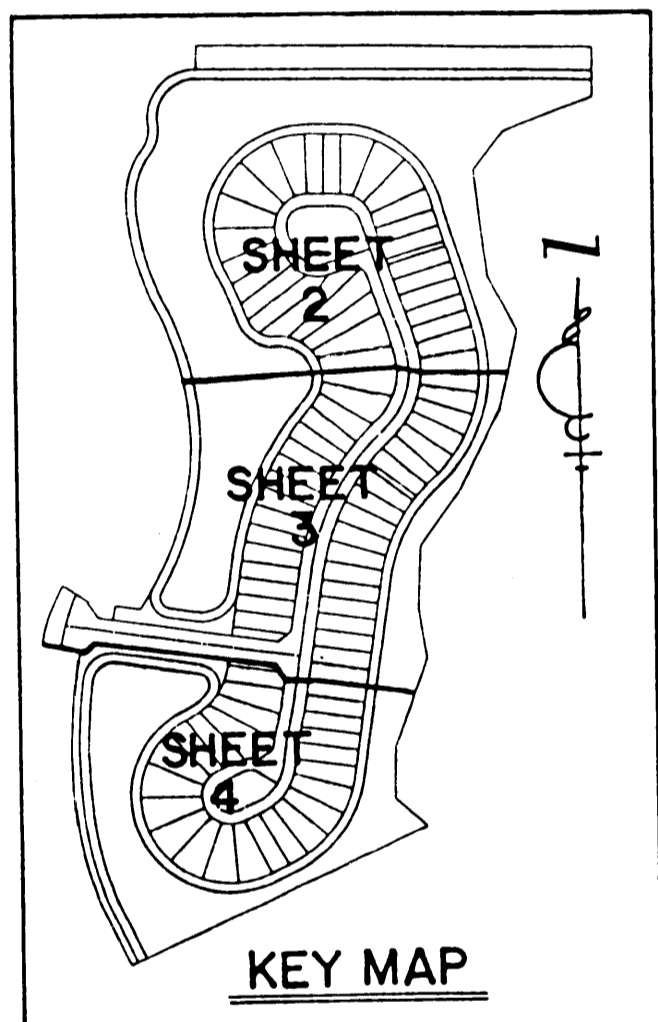
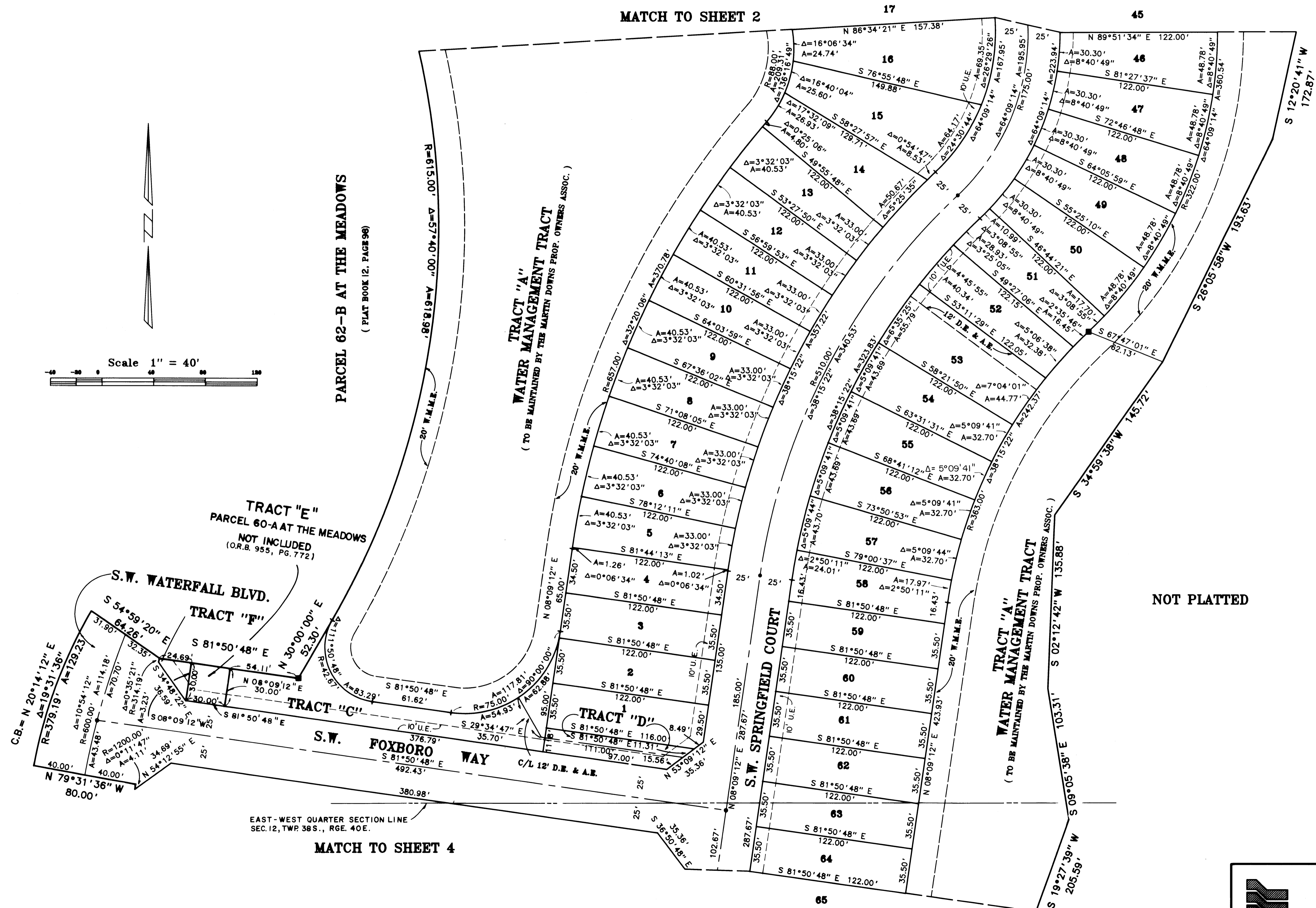
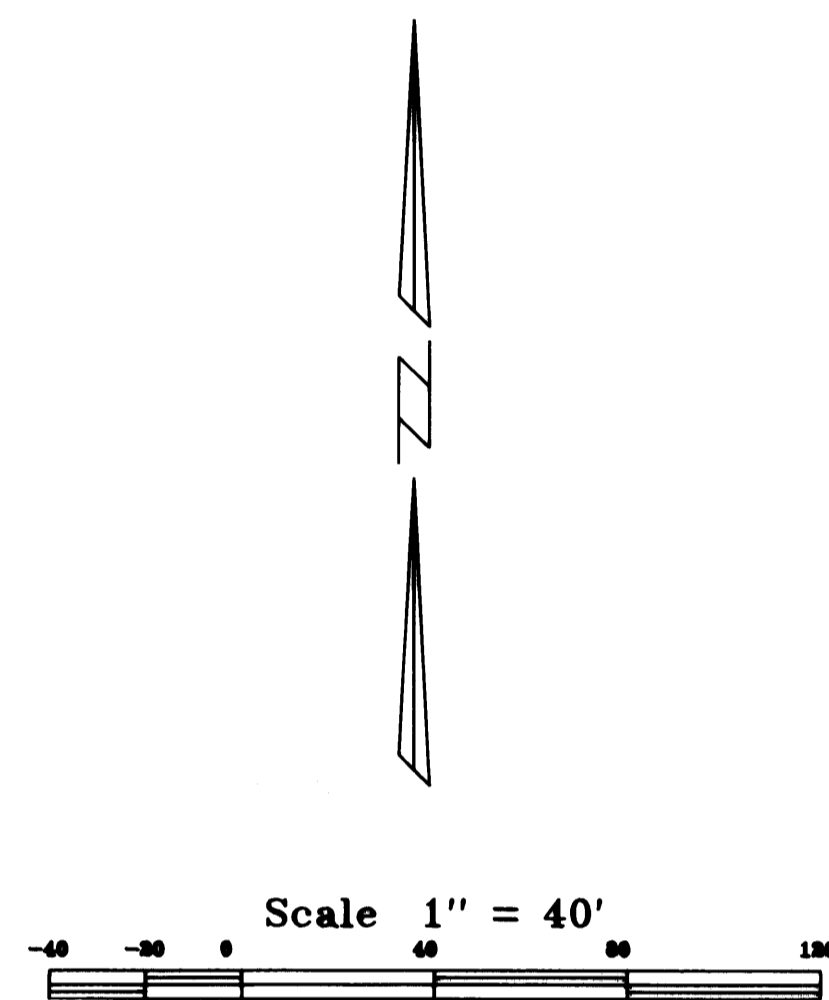


A PLAT OF PARCEL 60-B AT THE MEADOWS

BEING PLAT NO. 63 OF MARTIN DOWNS A P.U.D. ALSO
BEING A REPLAT OF A PORTION OF PARCEL 60-A AT THE MEADOWS
BEING PLAT NO. 58 OF MARTIN DOWNS A P.U.D. AS RECORDED
IN PLAT BOOK 12, PAGE 56 PUBLIC RECORDS OF MARTIN COUNTY,
FLORIDA, PUBLIC RECORDS, THIS DAY OF _____
A.D. 19____.
MARSHA STILLER, CLERK OF
CIRCUIT COURT
MARTIN COUNTY, FLORIDA
By: _____
DEPUTY CLERK
FILE NO. _____

I, MARSHA STILLER, CLERK OF
THE CIRCUIT COURT OF MARTIN
COUNTY, FLORIDA, HEREBY CERTIFY
THAT THIS PLAT WAS FILED FOR
RECORD IN PLAT BOOK _____,
PAGE _____, MARTIN COUNTY,
FLORIDA, PUBLIC RECORDS, THIS
DAY OF _____
A.D. 19____.



Landmark Surveying & Mapping Inc.
1850 FOREST HILL BOULEVARD
PH. (407)433-5405 SUITE 100 W.P.B. FLORIDA

PARCEL 60-B AT THE MEADOWS